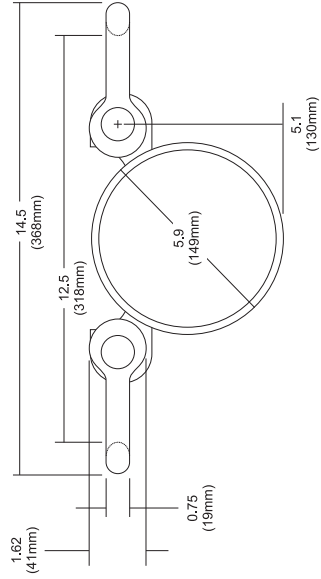


Model AP Dynamometer Dimensions

Dimensions in inches (mm)
 Drawing scales differ between capacities
 Dimensions subject to manufacturer /supplier tolerances and
 are subject to change without notice.

Low & Medium Capacities
 500-20,000 lb / 200-10,000 kg

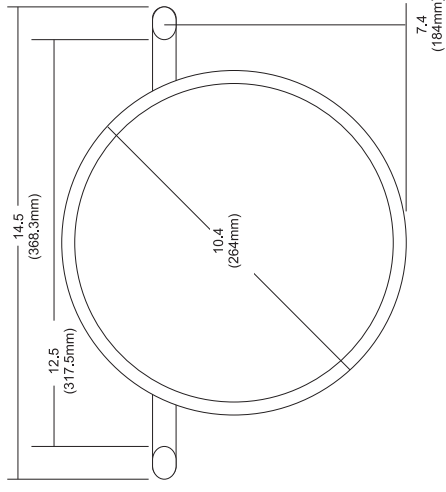
5" dial design



Front view

Side view

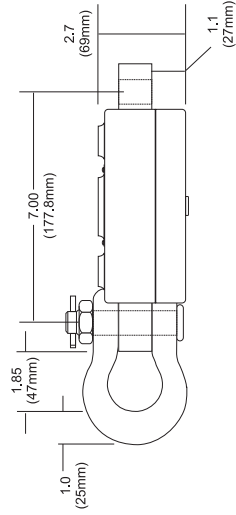
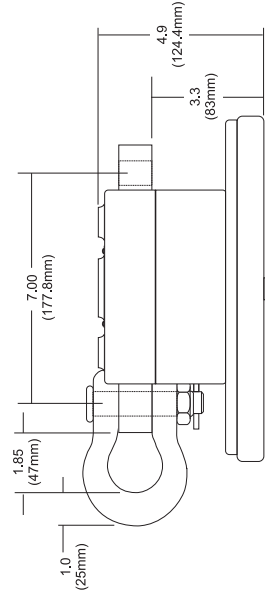
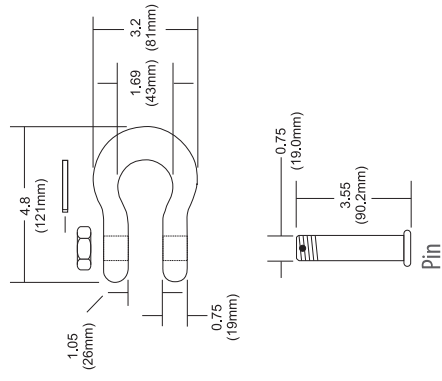
10" dial design



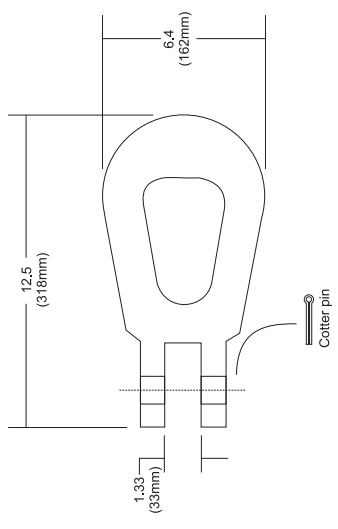
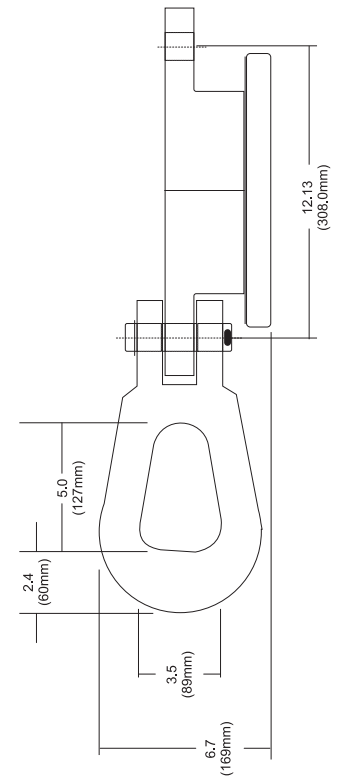
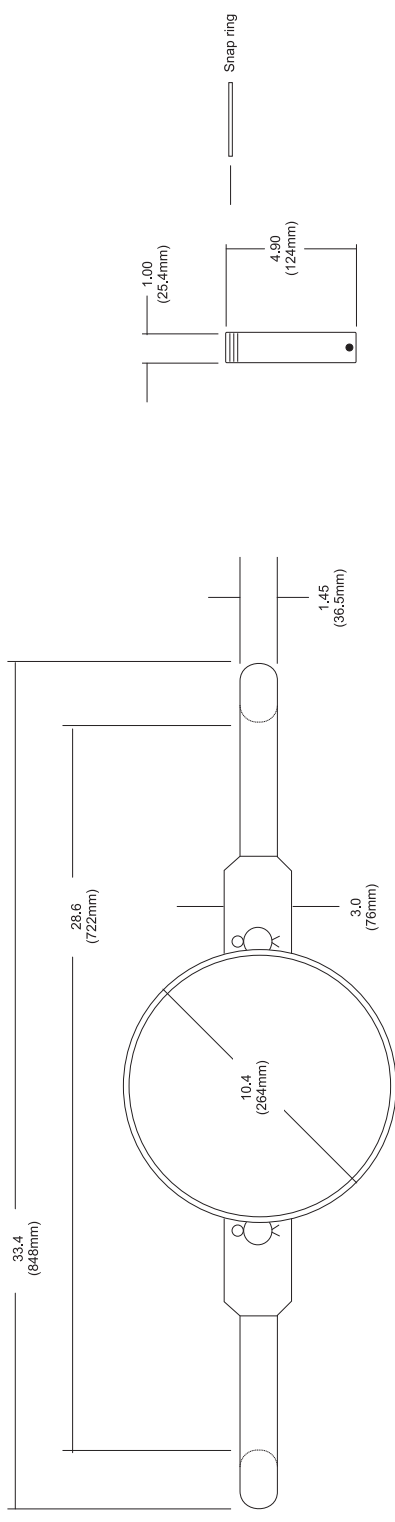
Front view

Side view

Standard Shackles



High Capacities 30,000-50,000 lb / 15,000-20,000 kg



Dillon/Quality Plus, Inc.
Sales/Service/Calibration
214 E. Kansas Street Suite 101
Liberty, MO. 64068
Phone: 800-493-2263
Fax:816-453-7677
Email:sales@dqplus.com
www.dillondynamometers.com

DILLON

Force Measurement Equipment



Dillon is part of Avery Weigh-Tronix. Avery Weigh-Tronix is a trademark of the Illinois Tool Works group of companies whose ultimate parent company is Illinois Tool Works Inc. ("Illinois Tool Works"). Copyright © 2020 Illinois Tool Works. All rights reserved. This publication is issued to provide outline information only and may not be regarded as a representation relating to the products or services concerned. This publication was correct at the time of going to print, however Avery Weigh-Tronix reserves the right to alter without notice the specification, design, price or conditions of supply of any product or service at any time.